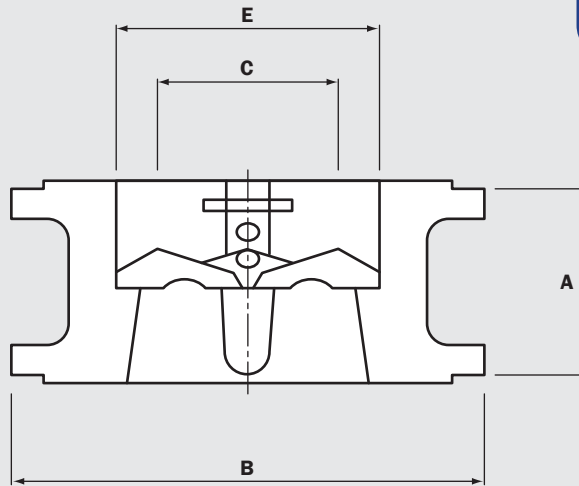




Wafer Sizes: 1.5-in. thru 72-in.
Class: 150 thru 2500



Size (in.)	Class	End Facing	A (in.)	B (in.)	C (in.)	E (in.)	Stud Selection			Weight	
							No.	Diameter (in.)	Length. (in.)	LB	KG
1.5 (38mm)	150	RF	2	3.375	-	1.97	4	0.5	5	4	1.8
	300	RF/RJ-20	2	3.75	-	1.97	4	0.75	6.5	4	1.8
	600	RF/RJ-20	2	3.75	-	1.97	4	0.75	6.5	4	1.8
2 (51mm)	150	RF	2.375	4.125	-	2.25	4	0.625	6	7	3.2
	300	RF/RJ-23	2.375	4.375	-	2.25	8	0.625	6.875	8	3.2
	600	RF/RJ-23	2.375	4.375	-	2.25	8	0.625	6.875	8	3.2
	900	RF/RJ-24	2.75	5.625	-	2.25	8	0.875	8.75	18	8.2
	1500	RF/RJ-24	2.75	5.625	-	2.25	8	0.875	8.75	18	8.2
	2500	RF/RJ-26	2.75	5.75	-	2.25	8	1	10	29	13.1
2.5 (64mm)	150	RF	2.625	4.875	-	2.94	4	0.625	6.375	11	5
	300	RF	2.625	5.125	-	2.94	8	0.75	6.875	13	5
3 (76mm)	150	RF	2.875	5.375	2	3.42	4	0.625	7	14	6.4
	300	RF	2.875	5.875	2	3.42	8	0.75	8.125	17	7.7
	600	RF	2.875	5.875	2	3.42	8	0.75	8.125	17	7.7
	900	RF/RJ-31	3.25	6.625	2.375	3.42	8	0.875	9.5	26	11.8
	1500	RF/RJ-35	3.25	6.875	2.375	3.42	8	1.125	10.5	28	12.7
	2500	RF/RJ-32	3.375	7.75	2.375	3.42	8	1.25	12.25	35	15.9
4 (102mm)	150	RF	2.875	6.875	3.5	4.45	8	0.625	7	21	9.5
	300	RF	2.875	7.125	3.5	4.45	8	0.75	8.125	23	10.5
	600	RF/RJ-37	3.125	7.625	3.5	4.45	8	0.875	9.5	28	12.7
	900	RF/RJ-37	4	8.125	3.25	4.45	8	1.125	11	42	19.1
	1500	RF/RJ-39	4	8.25	3.25	4.45	8	1.25	12	45	20.5
	2500	RF/RJ-38	4.125	9.25	3.25	4.45	8	1.5	14.625	64	29.1