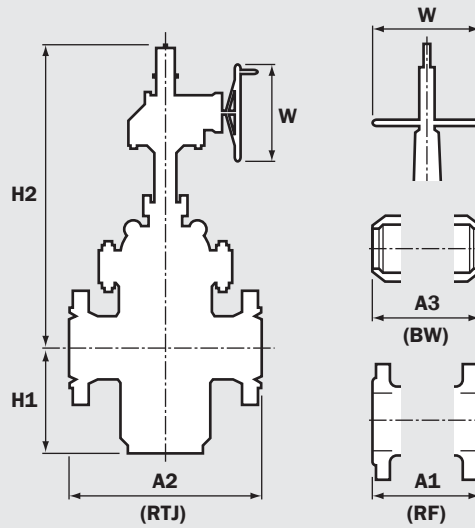


**Class:** 150 thru 2500  
**Sizes:** 2-in. thru 36-in. (and larger)



**CLASS 150 – Thru Conduit Slab Gate Valves**

Size		End to End			Center to Bottom	Hand Wheel Operated				Gear Operated			Weights LB/KG
		RF-L	BW-L1	RTJ-L2	H1	H	H2	HW	G	G2	GW		
in.	2	7	8.5	7.5	4.8	17.72	12.4	9.84	-	-	-	75	
mm	50	178	216	191	122	450	315	250	-	-	-	34	
in.	2.5	7.5	9.5	8	6.06	21.65	16.54	11.81	-	-	-	90	
mm	65	190	241	203	154	550	420	300	-	-	-	41	
in.	3	8	11.12	8.5	6.65	24.02	16.85	11.81	-	-	-	123	
mm	80	203	283	216	169	610	428	300	-	-	-	56	
in.	4	9	12	9.5	7.6	27.56	19.45	11.81	30.31	25.59	12.2	185	
mm	100	229	305	241	193	700	494	300	770	650	310	84	
in.	6	10.5	15.88	11	11.14	35.24	24.61	13.78	37.99	31.5	12.2	313	
mm	150	267	403	279	283	895	625	350	965	800	310	142	
in.	8	11.5	16.5	12	13.86	44.49	30.87	13.78	47.24	37.8	12.2	520	
mm	200	292	419	305	352	1130	784	350	1200	960	310	236	
in.	10	13	18	13.5	17.32	50.79	36.87	15.75	53.54	42.52	12.2	776	
mm	250	330	457	343	440	1290	937	400	1360	1080	310	352	
in.	12	14	19.75	14.5	20.27	58.27	42.52	17.72	61.42	47.24	12.2	992	
mm	300	356	502	368	514	1480	1080	450	1560	1200	310	450	
in.	14	15	22.5	15.5	23.7	64.59	50.51	19.69	68.5	53.15	18.11	1323	
mm	350	381	572	394	602	1660	1283	500	1740	1350	460	600	
in.	16	16	24	16.5	26.69	72.83	55.79	19.69	75.98	59.06	18.11	1623	
mm	400	406	610	419	678	1850	1417	500	1930	1500	460	736	
in.	18	17	26	17.5	30.91	81.89	58.62	23.62	85.04	66.14	18.11	1962	
mm	450	432	660	445	785	2080	1489	600	2160	1680	460	890	
in.	20	18	28	18.5	33.66	90.55	65.83	27.56	95.28	72.83	18.11	2469	
mm	500	457	711	470	855	2300	1672	700	2420	1850	460	1120	
in.	24	20	32	20.5	41.14	105.51	79.21	31.5	110.24	83.46	18.11	4431	
mm	600	508	813	521	1045	2680	2012	800	2800	2120	460	2010	
in.	30	24	36	-	53.15	137.44	100.39	39.37	143.31	110.24	18.11	6438	
mm	750	610	914	-	1350	3491	2550	1000	3640	2800	460	2920	
in.	36	28	40	-	59.45	153.43	112.2	39.37	159.45	121.26	23.62	11839	
mm	900	711	1016	-	1510	3897	2850	1000	4050	3080	600	5370	



**CLASS 300 – Thru Conduit Slab and Expanding Gate Valves**

Size		End to End			Center to Bottom	Hand Wheel Operated				Gear Operated			Weights LB/KG
		RF-L	BW-L1	RTJ-L2	H1	H	H2	HW	G	G2	GW		
in.	2	8.5	8.5	9.12	5.93	18.03	12.8	9.84	-	-	-	119	
mm	50	216	216	232	137	458	325	250	-	-	-	54	
in.	2.5	9.5	9.5	10.12	6.65	21.85	16.54	11.81	-	-	-	150	
mm	65	241	241	257	169	555	420	300	-	-	-	68	
in.	3	11.12	11.12	11.74	7.24	24.21	16.93	11.81	-	-	-	187	
mm	80	283	283	298	184	615	430	300	-	-	-	85	
in.	4	12	12	12.62	8.58	27.95	19.69	11.81	30.31	25.59	12.2	247	
mm	100	305	305	321	218	710	500	300	770	650	310	112	
in.	6	15.88	15.88	16.5	12.24	34.43	24.61	13.78	37.99	31.5	12.2	529	
mm	150	403	403	419	311	900	625	350	965	800	310	240	
in.	8	16.5	16.5	17.12	15.04	44.68	31.1	13.78	47.24	37.8	12.2	805	
mm	200	419	419	435	382	1135	790	350	1200	960	310	365	
in.	10	18	18	18.62	18.74	55.16	40.94	15.75	53.54	42.91	12.2	1102	
mm	250	457	457	473	476	1401	1040	400	1360	1090	310	500	
in.	12	19.75	19.75	20.37	21.46	62.2	45.28	15.75	61.42	47.24	12.2	1669	
mm	300	502	502	518	545	1580	1150	400	1560	1200	310	757	
in.	14	30	30	30.62	25.39	-	-	-	68.5	53.15	18.11	2315	
mm	350	762	762	778	645	-	-	-	1740	1350	460	1050	
in.	16	33	33	33.62	28.66	-	-	-	75.98	60.63	18.11	3263	
mm	400	838	838	854	728	-	-	-	1930	1540	460	1480	
in.	18	36	36	36.62	31.5	-	-	-	85.04	66.93	18.11	4497	
mm	450	914	914	930	800	-	-	-	2160	1700	460	2040	
in.	20	39	39	39.75	36.61	-	-	-	95.28	72.83	18.11	5942	
mm	500	991	991	1010	930	-	-	-	2420	1850	460	2650	
in.	24	45	45	45.88	43.31	-	-	-	110.24	83.46	18.11	9392	
mm	600	1143	1143	1165	1100	-	-	-	2800	2120	460	4260	
in.	30	55	55	56	55.91	-	-	-	143.31	110.24	18.11	13889	
mm	750	1397	1397	1422	1420	-	-	-	3640	2800	460	6300	
in.	36	68	68	69.12	59.45	-	-	-	159.45	121.26	23.32	19621	
mm	900	1727	1727	1756	1510	-	-	-	4050	3080	600	8900	



**CLASS 600 – Thru Conduit Slab and Expanding Gate Valves**

Size		End to End			Center to Bottom	Hand Wheel Operated				Gear Operated			Weights LB/KG
		RF-L	BW-L1	RTJ-L2	H1	H	H2	HW	G	G2	GW		
in.	2	11.3	11.3	11.62	6.22	18.43	13.19	11.81	19.88	16.93	12.2	146	
mm	50	292	292	295	158	468	335	300	505	430	310	66	
in.	2.5	13	13	13.12	7.48	22.24	16.93	11.81	22.05	18.5	12.2	205	
mm	65	330	330	333	190	565	430	300	560	470	310	93	
in.	3	14	14	14.12	8.86	24.61	17.32	13.78	24.02	20.09	12.2	243	
mm	80	356	356	359	225	625	440	350	610	510	310	110	
in.	4	17	17	17.12	10.14	28.35	20.08	13.78	30.31	25.59	12.2	344	
mm	100	432	432	435	255	720	510	350	770	650	310	156	
in.	6	22	22	22.12	12.99	35.83	24.8	15.75	37.99	31.5	12.2	635	
mm	150	559	559	562	330	910	630	400	965	800	310	296	
in.	8	26	26	26.12	16.14	45.08	31.5	19.69	47.24	37.8	12.2	1411	
mm	200	660	660	664	410	1145	800	500	1200	960	310	640	
in.	10	31	31	31.12	19.29	55.55	41.34	19.69	53.94	42.91	18.11	1984	
mm	250	787	787	791	490	1411	1050	500	1370	1090	460	900	
in.	12	33	33	33.12	22.44	62.6	45.67	23.62	61.42	47.24	18.11	2502	
mm	300	838	838	841	570	1590	1160	600	1560	1200	460	1135	
in.	14	35	35	35.12	25.59	-	-	-	68.5	53.15	18.11	3748	
mm	350	889	889	892	650	-	-	-	1740	1350	460	1700	
in.	16	39	39	39.12	28.94	-	-	-	77.56	60.63	18.11	5181	
mm	400	991	991	994	735	-	-	-	1970	1540	460	2350	
in.	18	43	43	43.12	31.89	-	-	-	88.98	66.93	18.11	6120	
mm	450	1092	1092	1095	810	-	-	-	2260	1700	460	2776	
in.	20	47	47	47.25	35.63	-	-	-	95.28	72.83	18.11	9281	
mm	500	1194	1194	1200	905	-	-	-	2420	1850	460	4210	
in.	24	55	55	55.38	45.67	-	-	-	101.97	79.53	18.11	13250	
mm	600	1397	1397	1407	1160	-	-	-	2590	2020	460	6010	
in.	30	65	65	65.5	51	-	-	-	150	104	24	17439	
mm	750	1651	1651	1664	1290	-	-	-	3821	2654	600	7910	
in.	36	82	82	85.62	60	-	-	-	173	121	24	33510	
mm	900	2083	2083	2175	1530	-	-	-	4400	3070	600	15200	



**CLASS 900 – Thru Conduit Slab and Expanding Gate Valves**

Size		End to End			Center to Bottom	Hand Wheel Operated				Gear Operated			Weights LB/KG
		RF-L	BW-L1	RTJ-L2	H1	H	H2	HW	G	G2	GW		
in.	2	14.5	14.5	14.62	6.22	18.62	13.19	11.81	20.67	17.72	12.2	227	
mm	50	368	368	371	158	473	335	300	525	450	310	103	
in.	2.5	16.5	16.5	16.62	7.48	22.44	17.13	11.81	23.03	19.29	12.2	298	
mm	65	419	419	422	190	570	435	300	585	490	310	135	
in.	3	15	15	15.12	8.86	24.8	17.52	13.78	25	20.87	12.2	357	
mm	80	381	381	384	225	630	445	350	635	530	310	162	
in.	4	18	18	18.12	10.04	28.54	20.28	13.78	31.5	26.77	12.2	631	
mm	100	457	457	460	255	725	515	350	800	680	310	286	
in.	6	24	24	24.12	11.42	36.02	25.2	15.75	39.17	33.95	12.2	1773	
mm	150	610	610	613	290	915	640	400	995	830	310	532	
in.	8	29	29	29.12	18.11	45.28	31.5	19.69	49.21	39.37	18.11	2138	
mm	200	737	737	740	460	1150	800	500	1250	1000	460	970	
in.	10	33	33	33.12	22.05	55.75	41.54	19.69	55.91	44.88	18.11	2877	
mm	250	838	838	841	560	1416	1055	500	1420	1140	460	1305	
in.	12	38	38	38.12	25.98	62.8	45.87	23.62	62.99	48.43	18.11	4409	
mm	300	965	965	968	660	1595	1165	600	1600	1230	460	2000	
in.	14	40.5	40.5	40.88	30.31	-	-	-	70.87	55.12	18.11	5732	
mm	350	1029	1029	1038	770	-	-	-	1800	1400	460	2600	
in.	16	44.5	44.5	44.88	33.07	-	-	-	77.82	63.78	18.11	7077	
mm	400	1130	1130	1140	840	-	-	-	2000	1620	460	3210	
in.	18	48	48	48.5	36.22	-	-	-	88.98	70.28	18.11	8818	
mm	450	1219	1219	1232	920	-	-	-	2260	1785	460	4000	
in.	20	52	52	52.5	39.37	-	-	-	99.2	76.77	18.11	11288	
mm	500	1321	1321	1334	1000	-	-	-	2520	1950	460	5120	
in.	24	61	61	61.75	47.24	-	-	-	104.33	82.68	18.11	20723	
mm	600	1549	1549	1568	1200	-	-	-	2650	2100	460	9400	



**CLASS 1500 – Thru Conduit Slab and Expanding Gate Valves**

Size		End to End			Center to Bottom	Hand Wheel Operated			Gear Operated			Weights LB/KG
		RF-L	BW-L1	RTJ-L2	H1	H	H2	HW	G	G2	GW	
in.	2	14.5	14.5	14.62	6.5	18.9	13.58	13.78	21.26	14.17	12.2	265
mm	50	368	368	371	165	480	345	350	540	360	310	120
in.	2.5	16.5	16.5	16.62	7.99	23.43	17.72	13.78	23.54	19.69	12.2	373
mm	65	419	419	422	203	595	450	350	598	500	310	169
in.	3	18.5	18.5	18.62	9.06	25.59	18.5	15.75	25.59	21.46	18.11	573
mm	80	470	470	473	230	650	470	400	650	545	460	260
in.	4	21.5	21.5	21.62	10.59	29.13	20.67	17.72	31.89	27.95	18.11	838
mm	100	546	546	549	269	740	525	450	810	710	460	380
in.	6	27.75	27.75	28	13.39	38.58	25.59	19.69	42.13	33.07	18.11	2006
mm	150	705	705	711	340	980	650	500	1070	840	460	910
in.	8	32.75	32.75	33.13	16.54	-	-	-	53.15	41.34	18.11	3351
mm	200	832	832	842	420	-	-	-	1350	1050	460	1520
in.	10	39	39	39.38	20.08	-	-	-	58.26	46.46	18.11	5027
mm	250	991	991	1000	510	-	-	-	1480	1180	460	2280
in.	12	44.5	44.5	45.12	23.23	-	-	-	66.14	51.18	18.11	7275
mm	300	1130	1130	1146	590	-	-	-	1680	1300	460	3300

**CLASS 2500 – Thru Conduit Slab and Expanding Gate Valves**

Size		End to End			Center to Bottom	Hand Wheel Operated			Gear Operated			Weights LB/KG
		RF-L	BW-L1	RTJ-L2	H1	H	H2	HW	G	G2	GW	
in.	2	17.75	17.75	17.87	6.5	18.9	13.58	13.78	21.26	14.17	12.2	388
mm	50	451	451	454	165	480	345	350	540	360	310	176
in.	2.5	20	20	20.25	7.99	23.43	17.72	13.78	23.54	19.69	12.2	591
mm	65	508	508	514	203	595	450	350	598	500	310	268
in.	3	22.75	22.75	23	9.06	25.59	18.5	15.75	25.59	21.46	18.11	805
mm	80	578	578	584	230	650	470	400	650	545	460	365
in.	4	26.5	26.5	26.88	10.59	29.13	20.67	17.72	31.89	27.95	18.11	1279
mm	100	673	673	683	269	740	525	450	810	710	460	580
in.	6	36	36	36.5	13.39	38.58	25.59	19.69	42.13	33.07	18.11	3175
mm	150	914	914	927	340	980	650	500	1070	840	460	1440
in.	8	40.25	40.25	40.87	16.54	-	-	-	53.15	41.34	18.11	5181
mm	200	1022	1022	1028	420	-	-	-	1350	1050	460	2350
in.	10	50	50	50.88	20.08	-	-	-	58.26	46.46	18.11	9039
mm	250	1270	1270	1292	510	-	-	-	1480	1180	460	4100
in.	12	56	56	56.88	23.23	-	-	-	66.14	51.18	18.11	12897
mm	300	1422	1422	1445	590	-	-	-	1680	1300	460	5850



**THRU CONDUIT GATE VALVES FLOW COEFFICIENCY**

Size	Class				
	300	600	900	1500	2500
2	432	378	337	337	218
3 x 2	-	165	203	239	-
2.5	-	682	558	558	305
3	1155	1109	1072	966	474
4 x 3	-	529	597	677	624
4	2176	1944	1890	1730	725
6 x 4	-	944	943	1231	-
6	5300	4577	4383	3622	2510
8 x 6	2499	3240	3588	2137	-
8	11054	8886	8416	6879	5227
10 x 8	5218	5036	7975	4859	-
10	18856	14533	14087	11283	8313
12	28980	22729	21025	16843	12282
14	30883	28837	23846	20336	-
16	42224	39144	33358	27548	21396
18	55740	51368	45004	-	-
20	70386	64559	56871	-	-
22	86869	80279	-	-	-
24	106835	97240	84836	-	-
26	123222	114905	-	-	-
28	114355	135267	-	-	-
30	170229	157401	133706	-	-
36	245362	224424	-	-	-

Expanding gate dimensions upon request.

The Flow Coefficiency (Cv) of a valve is the rate of gallons per minute of water at 60° F through a fully opened valve at a pressure drop of 1 PSI across the valve.

Dimensions and values should only be used as a guide.

Please contact us if you require a specific drawing or confirmation of dimensions and values.